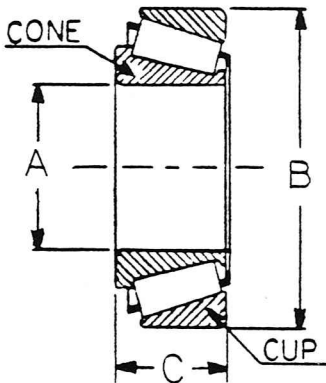
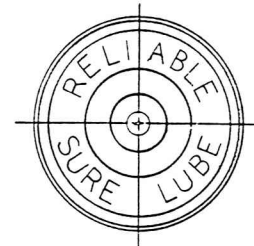
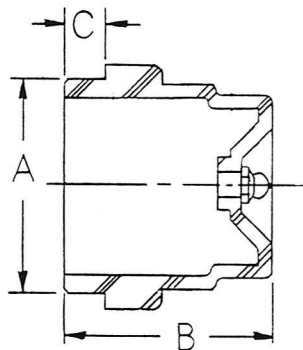


BEARING CUP AND CONE DATA



RELIABLE CONE NO.	RELIABLE CUP NO.	A DIM.	B DIM.	C DIM.
LM11949	LM11910	.750	1.7810	.6100
L44643	L44610	1.000	1.9800	.5600
L44649	L44610	1.0625	1.9800	.5600
LM67048	LM67010	1.2500	2.3280	.6250
15123	15245	1.2500	2.4409	.7150
14125A	14276	1.2500	2.7170	.7813
LM48548	LM48510	1.3750	2.5625	.7100
L68149	L68111	1.3780	2.3622	.6250
JL69349	JL69310	1.4961	2.4803	.6693
LM29749	LM29710	1.5000	2.5625	.7100
LM501349	LM501310	1.6250	2.8910	.7700
25580	25520	1.7500	3.2650	.9375
LM603049	LM603011	1.7812	3.0625	.7812
JLM506849	JLM506810	2.1654	3.5433	.9055

SURE LUBE GREASE CAPS



PART NO.	DESCRIPTION	A DIM.	B DIM.	C DIM.
GC-1980-01	STEEL-ZINC PLATED	1.985	1.83	.50
GC-2327	BLACK PLASTIC	2.343	2.02	1.02
GC-2441	BLACK PLASTIC	2.458	2.02	.42
GC-2716	BLACK PLASTIC	2.737	2.02	.50